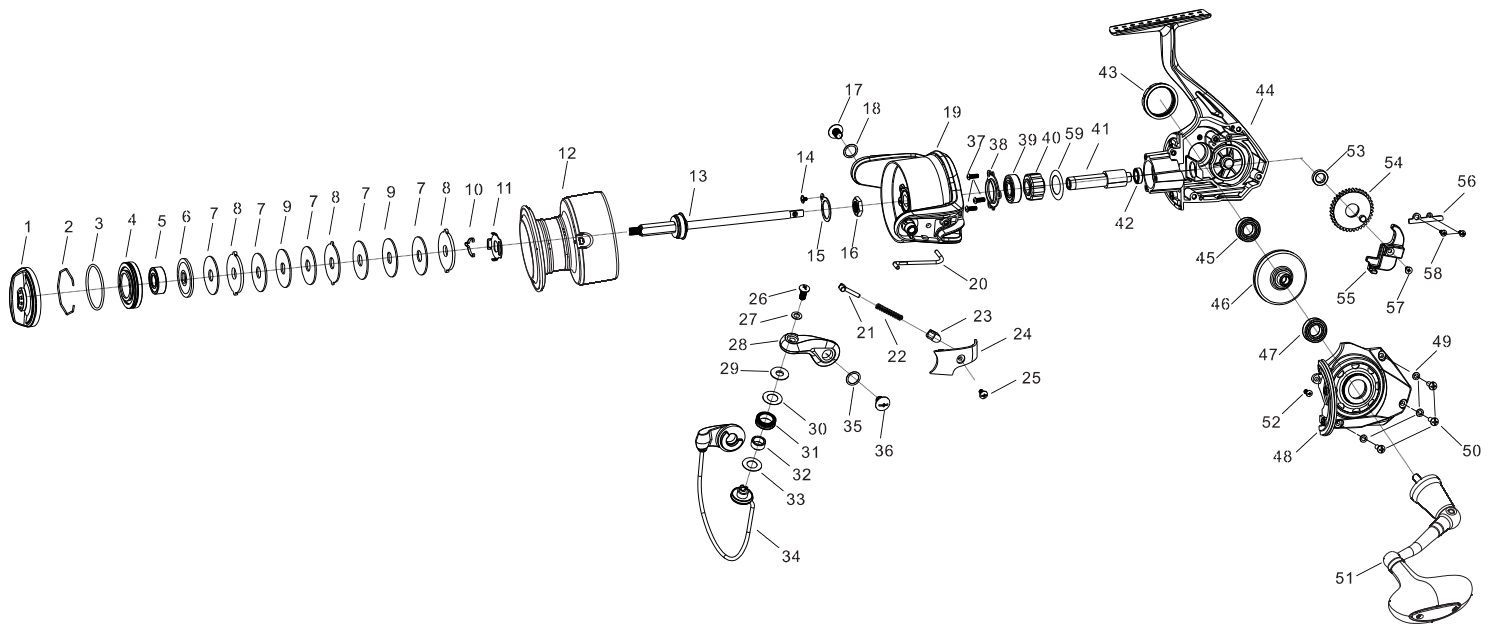


SS6000



KEY NO. PART NAMES

1	DRAG KNOB
2	DRAG WASHER RETAINER
3	O RING
4	BALL BEARING HOLDER
5	BALL BEARING
6	SPOOL WASHER
7	DRAG WASHER
8	EAR WASHER
9	KEY WASHER
10	CLICKER
11	CLICK HOLDER
12	SPOOL ASSY.
13	MAIN SHAFT ASSEMBLY INCLUDE ONE BALL BEARING
14	SCREW
15	RETAINER
16	ROTOR NUT
17	SCREW
18	WASHER
19	ROTOR ASSY.
20	KICK LEVER
21	KICK LEVER
22	SPRING
23	BAIL SPRING HOLDER
24	BAIL ARM COVER
25	SCREW
26	SCREW
27	WASHER
28	BAIL ARM
29	LINE ROLLER COLLAR

KEY NO. PART NAMES

30	LINE ROLLER WASHER
31	LINE ROLLER
32	LINE ROLLER BUSHING
33	LINE ROLLER WASHER
34	BAIL WIRE ASSY.
35	WASHER
36	SCREW
37	SCREW
38	CLUTCH RETAINER
39	BALL BEARING
40	ONE WAY CLUTLH ASSY.
41	PINION GEAR
42	BALL BEARING
43	HANDLE SCREW CAP
44	MAIN BODY ASSEMBLY
45	BALL BEARING
46	DRIVE GEAR ASSY.
47	BALL BEARING
48	BODY COVER
49	WASHER
50	SCREW
51	HANDLE ASSY.
52	SCREW
53	BUSHING
54	O/S GEAR
55	O/S SLIDER
56	O/S SLIDER RETAINER
57	MAIN SHAFT SCREW
58	SCREW
59	WASHER